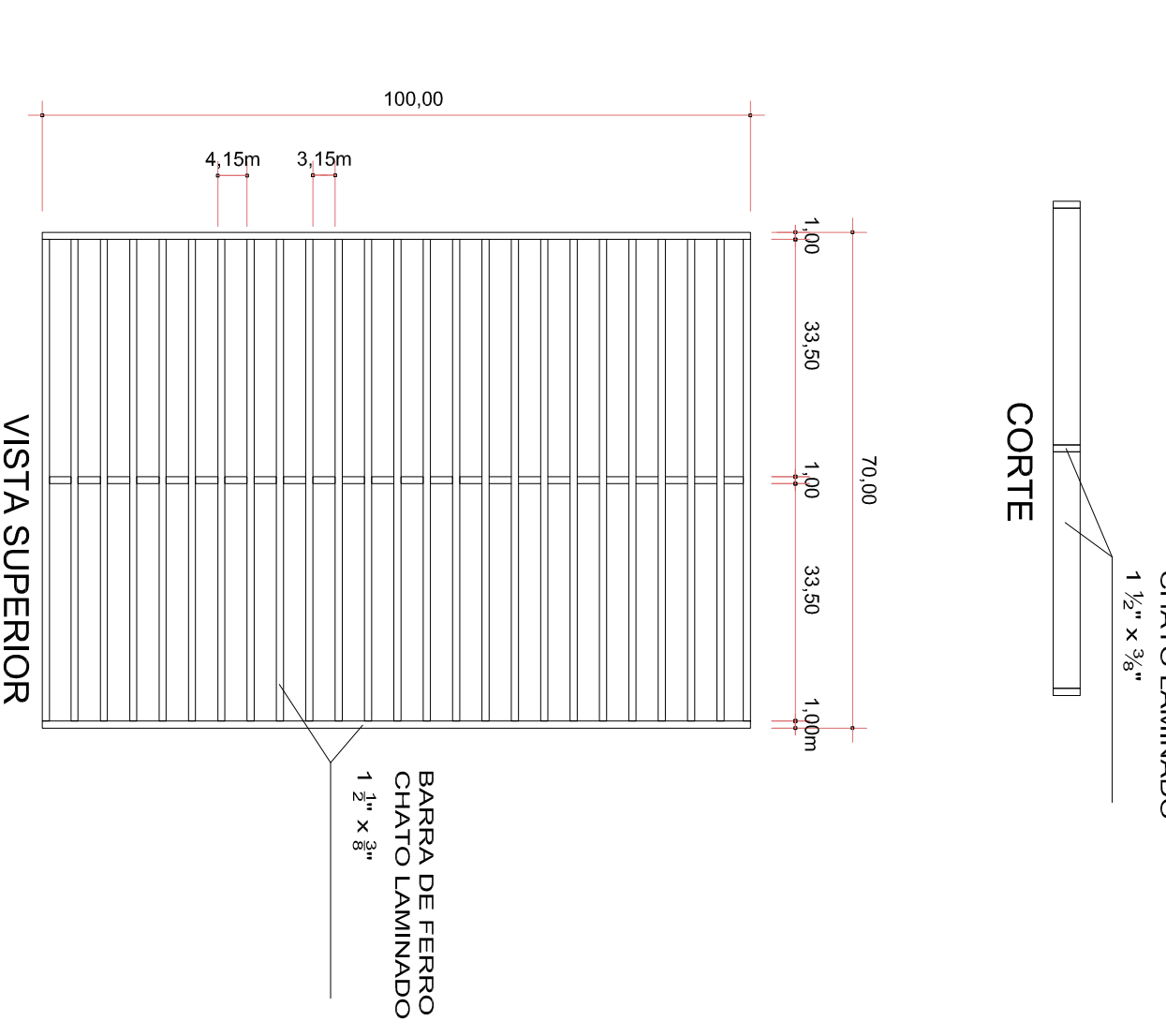
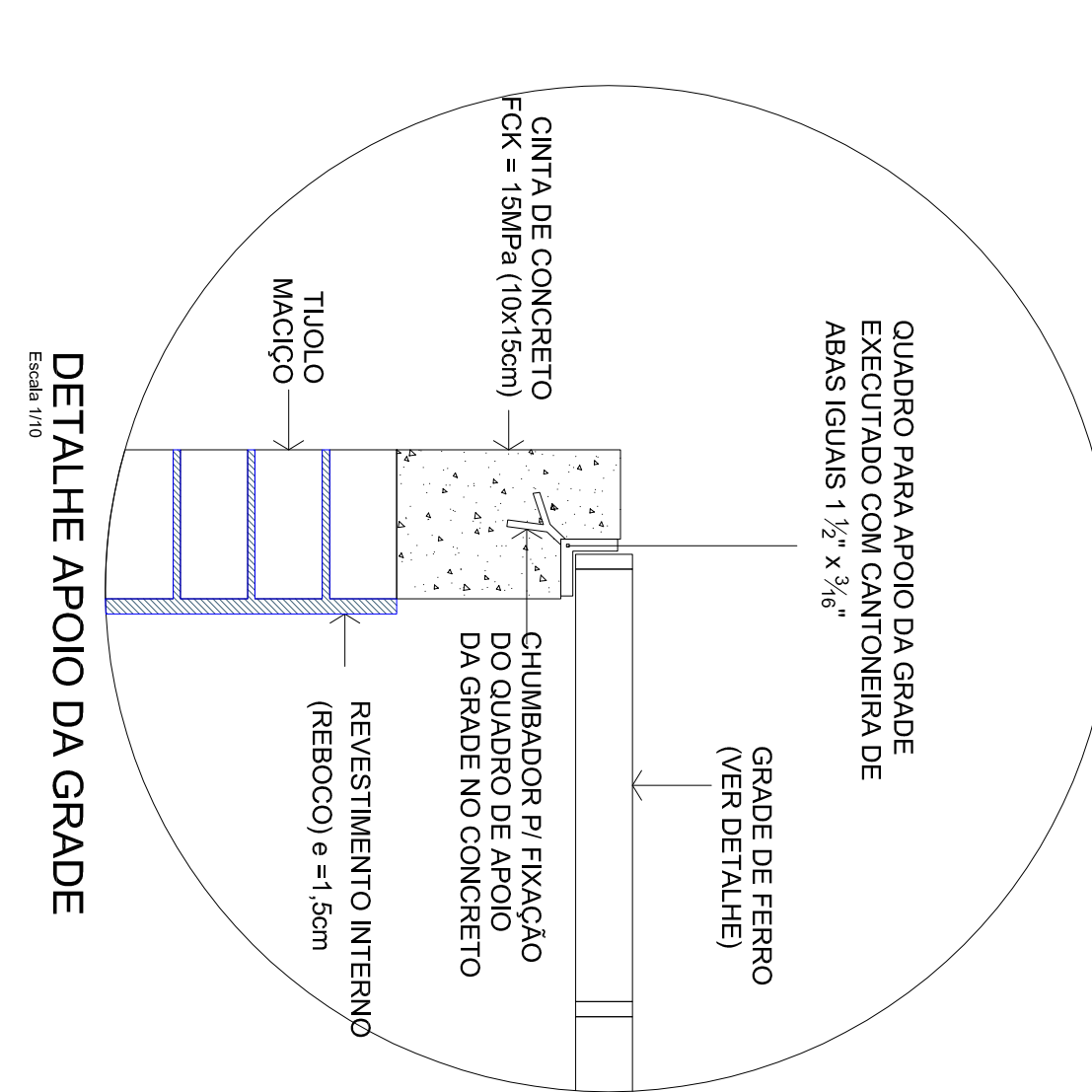
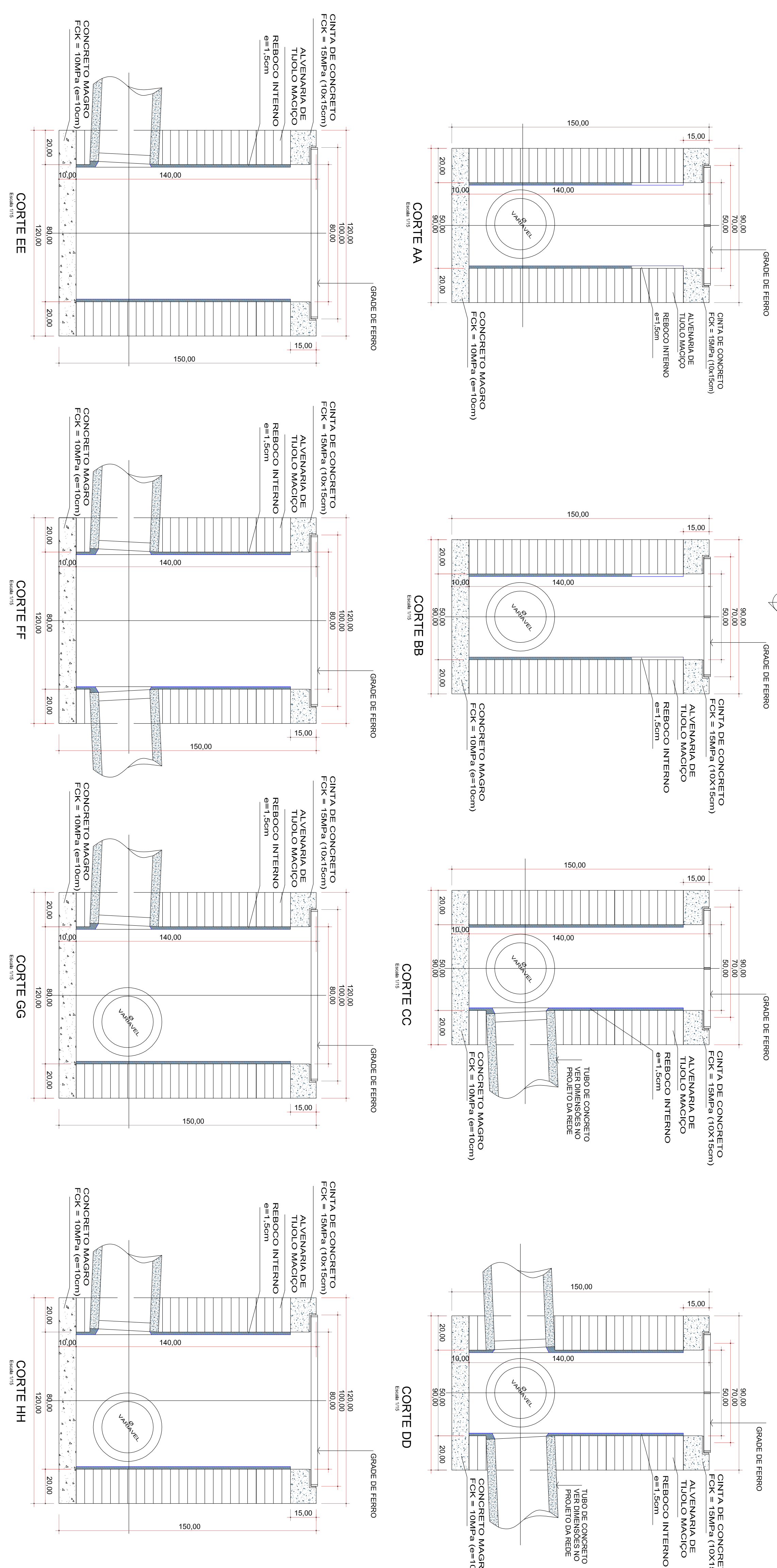
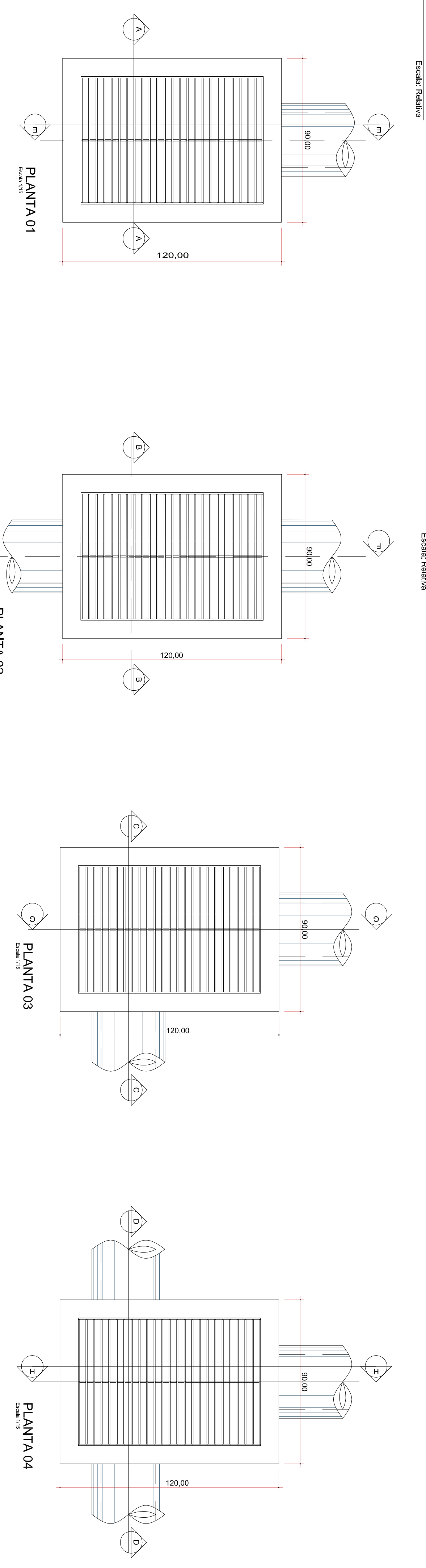


TABELA DE VALORES EM "CM"

B.S.T. C.	LEGENDA DAS POSIÇÕES																CONSUMO DE MATERIAL	
	A	B	C	D	E	F	G	H	I	J	K	L	M	N	O	P	CONC.	FORMA ENROC.
430	1	1	1	1	1	1	1	1	1	1	1	1	1	1	1	1	0,172	0,107
440	5	1	1	1	1	1	1	1	1	1	1	1	1	1	1	1	0,172	2,02
450	5	1	1	1	1	1	1	1	1	1	1	1	1	1	1	1	2,95	0,147
460	10	1	1	1	1	1	1	1	1	1	1	1	1	1	1	1	4,27	0,338
470	15	1	1	1	1	1	1	1	1	1	1	1	1	1	1	1	6,88	0,686
480	20	1	1	1	1	1	1	1	1	1	1	1	1	1	1	1	9,49	0,949
490	25	1	1	1	1	1	1	1	1	1	1	1	1	1	1	1	12,10	1,210
500	30	1	1	1	1	1	1	1	1	1	1	1	1	1	1	1	14,71	1,471
510	35	1	1	1	1	1	1	1	1	1	1	1	1	1	1	1	17,32	1,732
520	40	1	1	1	1	1	1	1	1	1	1	1	1	1	1	1	19,93	1,993
530	45	1	1	1	1	1	1	1	1	1	1	1	1	1	1	1	22,54	2,254
540	50	1	1	1	1	1	1	1	1	1	1	1	1	1	1	1	25,15	2,515
550	55	1	1	1	1	1	1	1	1	1	1	1	1	1	1	1	27,76	2,776
560	60	1	1	1	1	1	1	1	1	1	1	1	1	1	1	1	30,37	3,037
570	65	1	1	1	1	1	1	1	1	1	1	1	1	1	1	1	32,98	3,298
580	70	1	1	1	1	1	1	1	1	1	1	1	1	1	1	1	35,59	3,559
590	75	1	1	1	1	1	1	1	1	1	1	1	1	1	1	1	38,20	3,820
600	80	1	1	1	1	1	1	1	1	1	1	1	1	1	1	1	40,81	4,081
610	85	1	1	1	1	1	1	1	1	1	1	1	1	1	1	1	43,42	4,342
620	90	1	1	1	1	1	1	1	1	1	1	1	1	1	1	1	46,03	4,603
630	95	1	1	1	1	1	1	1	1	1	1	1	1	1	1	1	48,64	4,864
640	100	1	1	1	1	1	1	1	1	1	1	1	1	1	1	1	51,25	5,125
650	105	1	1	1	1	1	1	1	1	1	1	1	1	1	1	1	53,86	5,386
660	110	1	1	1	1	1	1	1	1	1	1	1	1	1	1	1	56,47	5,647
670	115	1	1	1	1	1	1	1	1	1	1	1	1	1	1	1	59,08	5,908
680	120	1	1	1	1	1	1	1	1	1	1	1	1	1	1	1	61,69	6,169
690	125	1	1	1	1	1	1	1	1	1	1	1	1	1	1	1	64,30	6,430
700	130	1	1	1	1	1	1	1	1	1	1	1	1	1	1	1	66,91	6,691
710	135	1	1	1	1	1	1	1	1	1	1	1	1	1	1	1	69,52	6,952
720	140	1	1	1	1	1	1	1	1	1	1	1	1	1	1	1	72,13	7,213
730	145	1	1	1	1	1	1	1	1	1	1	1	1	1	1	1	74,74	7,474
740	150	1	1	1	1	1	1	1	1	1	1	1	1	1	1	1	77,35	7,735
750	155	1	1	1	1	1	1	1	1	1	1	1	1	1	1	1	79,96	7,996
760	160	1	1	1	1	1	1	1	1	1	1	1	1	1	1	1	82,57	8,257
770	165	1	1	1	1	1	1	1	1	1	1	1	1	1	1	1	85,18	8,518
780	170	1	1	1	1	1	1	1	1	1	1	1	1	1	1	1	87,79	8,779
790	175	1	1	1	1	1	1	1	1	1	1	1	1	1	1	1	90,40	9,040
800	180	1	1	1	1	1	1	1	1	1	1	1	1	1	1	1	93,01	9,301
810	185	1	1	1	1	1	1	1	1	1	1	1	1	1	1	1	95,62	9,562
820	190	1	1	1	1	1	1	1	1	1	1	1	1	1	1	1	98,23	9,823
830	195	1	1	1	1	1	1	1	1	1	1	1	1	1	1	1	100,84	10,084
840	200	1	1	1	1	1	1	1	1	1	1	1	1	1	1	1	103,45	10,345
850	205	1	1	1	1	1	1	1	1	1	1	1	1	1	1	1	106,06	10,606
860	210	1	1	1	1	1	1	1	1	1	1	1	1	1	1	1	108,67	10,867
870	215	1	1	1	1	1	1	1	1	1	1	1	1	1	1	1	111,28	11,128
880	220	1	1	1	1	1	1	1	1	1	1	1	1	1	1	1	113,89	11,389
890	225	1	1	1	1	1	1	1	1	1	1	1	1	1	1	1	116,50	11,650
900	230	1	1	1	1	1	1	1	1	1	1	1	1	1	1	1	119,11	11,911
910	235	1	1	1	1	1	1	1	1	1	1	1	1	1	1	1	121,72	12,172
920	240	1	1	1	1	1	1	1	1	1	1	1	1	1	1	1	124,33	12,433
930	245	1	1	1	1	1	1	1	1	1	1	1	1	1	1	1	126,94	12,694
940	250	1	1	1	1	1	1	1	1	1	1	1	1	1	1	1	129,55	12,955
950	255	1	1	1	1	1	1	1	1	1	1	1	1	1	1	1	132,16	13,216
960	260	1	1	1	1	1	1	1	1	1	1	1	1	1	1	1	134,77	13,477
970	265	1	1	1	1	1	1	1	1	1	1	1	1	1	1	1	137,38	13,738
980	270	1	1	1	1	1	1	1	1	1	1	1	1	1	1	1	140,00	14,000
990	275	1	1	1	1	1	1	1	1	1	1	1	1	1	1	1	142,61	14,261
1000	280	1	1	1	1	1	1	1	1	1	1	1	1	1	1	1	145,22	14,522



MUNICÍPIO DE OURO - SC

PROJETO DE PAVIMENTAÇÃO EM ASFALTO CALU

PROJETO DE PAVIMENTAÇÃO EM ASFALTO CALU

PARTE EM BOM REPOSIÇÃO NENHUM

DESENHADO POR: DENIS NARCIZO ZULIAN - ENGR. CIVIL - CREABC 98.805-B

REVISADO POR: ANA JULIA UNGERHOFF - ENGR. CIVIL - CREABC 105.956-6

DATA: 2023

CONTA: 02102

Logo: **artmo**